



上海川源机械工程有限公司
Shanghai GSD Industrial Co.,Ltd

GRB

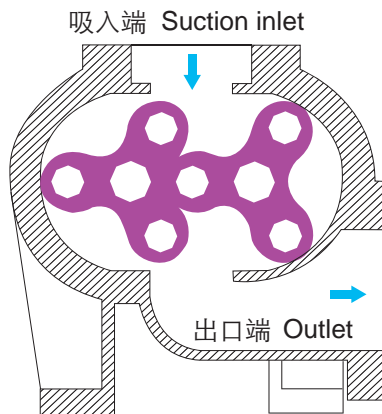
三叶罗茨鼓风机

GRB three-lobe roots blower



GRB三叶罗茨鼓风机

GRB three-lobe roots blower



原理 Theory

GRB三叶罗茨风机是一种容积式风机，其压力可根据用户的要求在允许的范围内加以调节，在机壳内部设置有两组互朝相反方向回转的叶轮，在叶轮与叶轮，及叶轮与壳体间仅留极小缝隙的状态下回转。当叶轮经过吸入端时，与壳体之间捕捉一定量的空气，随叶轮旋转，空气侧移，压力逐渐升高再送至出口端。

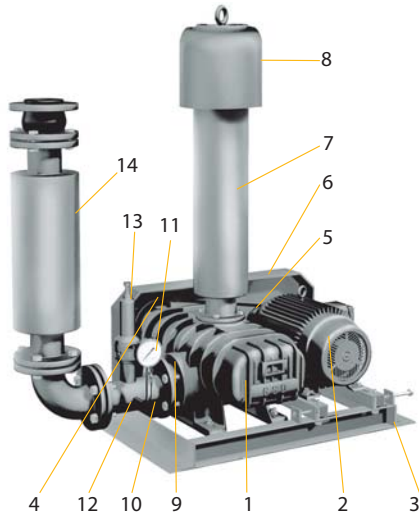
GRB is a displacement blower, the pressure can be adjusted according to the requirement of the user in allowing range, there are two impellers in the blower body which rotate in the opposite direction, in order to let the impeller rotate, there are some tiny gap between the impeller to body, impeller to impeller. When the impeller rotates through the suction inlet, it can gather an amount of air between the body and impeller, then the impeller go on rotating, and the air will be pressured, the pressure in the body will rise, finally the air has been send to the outlet.

特点 Features

- 风量和压力范围大。
口径：40mm-300mm(1.5"-12")
风量：0.36-160m³/min(12-5700CFM)
压力：一段式GRB型可达8000mmAq(0.8kgf/cm²)
- 排出气体不含油污。
- 电脑动平衡校正，低振动低噪音。
- 风量稳定，压力变化对风量之影响小。
- 特殊叶轮设计，高效率省能源。
- 构造简单坚固，无故障。
- 使用一级研磨齿轮，精度高，寿命长，低噪音。
- 严格品质管理，标准化制品。
- 叶轮采用最新之龙门刨床六轴加工法，一次加工完成，使更换方便，其具有更高之精密度。
- Wide range of capacity and pressure.
Calibre: 40mm-300mm(1.5"-12")
Capacity: 0.36-160m³/min(12-5700CFM)
Pressure: The pressure of one-stage GRB type up to 8000mmAq(0.8kgf/cm²)
- Delivers completely oil-free air.
- Low oscillation and low noise by dynamic balance which revised by computer.
- Smaller change in capacity against change in pressure.
- High efficiency due to special impeller design, great air-delivery low power.
- Simpler and solider structure, less trouble.
- Highest quality pilot & accurate great applied, long life and low noise assured.
- Standardized product with strict quality control.
- Our rotor has used the most advanced technic, one time for all working process of the six-shaft method, to enhance the precision of leave wheel.



外形结构图 Externality construction



NO.	附件	Accessories
1	本机体	Blower body
2	电动机	Motor
3	底座	Foundation
4	皮带轮	Pulley
5	传动皮带	Driving belt
6	皮带护罩	Belt cover
7	入口消音器	Suction silencer
8	防雨盖	Rain cover
9	逆止阀	Check valve
10	缓冲管	Gauge Pipe
11	吐出压力表	Outlet pressure gauge
12	三通管	T-joint
13	泄压阀	Relief valve
14	出口消音器	Outlet silencer

注：GRB-40机型不配出口消音器
Note: GRB-40 without outlet silencer

型号说明 Type description

GRB - 65

口径(mm)

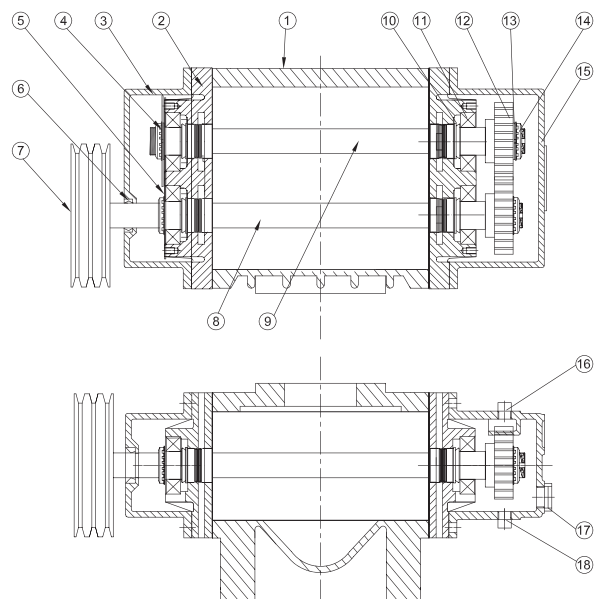
Diameter(mm)

三叶罗茨风机

Three-lobe roots blower

结构简图 Construction

NO.	名称	Name	材质 Material	
			GB	JIS
1	鼓风机本体	Casing	HT250	FC250
2	轴承座	Bearing housing	HT250	FC250
3	油箱	Oil box	HT250	FC250
4	甩油片	Oil splash	Q235	SS400
5	轴承固定片	Bearing washer	Q235	SS400
6	骨架油封	Framework oil seal	Viton	Viton
7	皮带轮	Pulley	HT250	FC250
8	主动叶轮	Drive rotor	Assembly	Assembly
9	被动叶轮	Driven rotor	Assembly	Assembly
10	V型油封	V-ring	Viton	Viton
11	轴承	Bearing	GCr15	SUJ2
12	齿轮	Gear	20CrMnTi	20CrMnTi
13	止动垫圈	Lock washer	Q235	SS400
14	止动螺母	Lock nut	45	S45C
15	齿轮箱	Gear box	HT250	FC250
16	加油柱塞	Lubrication plug	45	S45C
17	润滑油面计	Purge plug	Assembly	Assembly
18	泄油柱塞	Oil gauge	45	S45C



注：不同机型结构略有不同。
Note: Different model has a little difference.



单位换算表 Conversion table

PRESSURE	atm	kPa	bar	lbt/in ² (psi)	kgf/cm ²	in Hg	ftAq	mmHg(Torr)	mmAq
1 atm	1	101.325	1.01325	14.696	1.0333	29.921	33.914	760	10333
1 kPa	0.0099	1	0.01	0.145	0.0102	0.295	0.335	7.5	102
1 bar	0.9869	100	1	14.504	1.0198	29.53	33.47	750	10198
1 lbt/in ² (psi)	0.068	6.894	0.0689	1	0.0703	2.036	2.308	51.71	703
1 kgf/cm ²	0.968	98.062	0.981	14.228	1	28.96	32.82	735.53	10000
1 inHg	0.0334	3.3863	0.0339	0.491	0.0345	1	1.133	25.4	345.3
1 ftAq	0.0295	2.99	0.0299	0.434	0.0305	0.882	1	22.42	304.8
1 mmHg(Torr)	0.013	0.1338	0.00138	0.019	0.0014	0.04	0.045	1	13.6
1 mmAq	0.000097	0.0098	0.000098	0.0014	0.0001	0.003	0.0033	0.074	1

CAPACITY	m ³ /min	l/min	cm ³ /s	in ³ /s	ft ³ /min(cfm)
1 m ³ /min	1	1000	16667	1016	35.288
1 l/min	0.001	1	16.67	1.02	0.0353
1 cm ³ /s	0.00006	0.06	1	0.061	0.02
1 in ³ /s	0.00098	0.983	16.39	1	0.035
1 ft ³ /min(cfm)	0.028	28.32	471.95	28.8	1

压力常用换算公式

Pressure Conversion Formula

1 kPa=1000Pa=1000N/m²

1mbar=10.198mmAq

1mmHg(Torr)=133.8Pa

性能表使用须知 Working directions of performance table

- 性能参数表示鼓风机之型式、口径、回转数、吐出压力、实际进口风量、轴动力。
- 性能参数为标准吸入状态之空气量(温度20℃, 绝对压力1.0332kgf/cm², 相对湿度65%)。
- 基准状态(温度0℃, 绝对压力1.0332kgf/cm²)的风量, 一般以Nm³/min表示。
- 不同状态进口风量的换算:

$$Q_2 = Q_1 \times \frac{P_1}{P_2} \times \frac{273+T_2}{273+T_1}$$
 Q₁: 绝对压力P₁(mmAq) 摄氏温度T₁(°C)状态的风量(m³/min)
 Q₂: 绝对压力P₂(mmAq) 摄氏温度T₂(°C)状态的风量(m³/min)
- 电机功率一般为轴功率的1.1~1.3倍。
- 性能参数误差约5%。

- The performance parameter indicate the type, caliber, revolutions, discharge pressure, actual inlet air capacity and shaft power of the blower.
- The performance parameter indicate the air quantity in standard suction condition (20℃ temperature, absolute pressure 1.0332 kgf/cm² and relative humidity 65%) .
- The reference air capacity (0℃ temperature and absolute pressure 1.0332kgf/cm²) is generally indicated in Nm³/min.
- The inlet air capacity can be converted as following.

$$Q_2 = Q_1 \times \frac{P_1}{P_2} \times \frac{273+T_2}{273+T_1}$$
 Q₁: Air capacity (m³/min) based on absolute pressure P₁(mmAq) and temperature T₁(°C)
 Q₂: Air capacity (m³/min) based on absolute pressure P₂(mmAq) and temperature T₂(°C)
- The motor power is 1.1~1.3 multiple of shaft power.
- The error of the parameter is about 5%.



性能参数 Performance parameters

Qs(m³/min) Pressure(mmAq) La(kW)

型号 Type	转速 RPM	1000mmAq		2000mmAq		3000mmAq		4000mmAq		5000mmAq		6000mmAq		7000mmAq		8000mmAq	
		Qs	La	Qs	La	Qs	La	Qs	La	Qs	La	Qs	La	Qs	La	Qs	La
GRB-40	850	1.02	0.23	0.85	0.47	0.67	0.70	0.46	0.94	0.23	1.17	-	-	-	-	-	-
	950	1.18	0.26	1.00	0.53	0.83	0.79	0.60	1.05	0.44	1.31	-	-	-	-	-	-
	1050	1.33	0.29	1.16	0.58	0.99	0.87	0.75	1.16	0.62	1.45	-	-	-	-	-	-
	1150	1.49	0.32	1.31	0.64	1.14	0.95	0.89	1.27	0.76	1.59	-	-	-	-	-	-
	1250	1.64	0.35	1.47	0.69	1.30	1.04	1.12	1.38	0.90	1.73	0.90	2.07	0.67	2.42	0.52	2.76
	1350	1.80	0.37	1.62	0.75	1.45	1.12	1.28	1.49	1.16	1.87	1.05	2.24	0.99	2.61	0.82	2.99
	1450	1.96	0.4	1.78	0.80	1.61	1.20	1.43	1.60	1.31	2.00	1.21	2.40	1.15	2.81	1.11	3.21
	1550	2.11	0.43	1.93	0.86	1.76	1.29	1.59	1.71	1.47	2.14	1.37	2.57	1.30	3.00	1.26	3.43
	1650	2.27	0.46	2.09	0.91	1.92	1.37	1.74	1.82	1.63	2.28	1.52	2.74	1.46	3.19	1.42	3.65
	1750	2.42	0.48	2.25	0.97	2.08	1.45	1.90	1.93	1.78	2.42	1.68	2.90	1.61	3.39	1.57	3.87
	1850	2.58	0.51	2.40	1.02	2.23	1.53	2.06	2.05	1.94	2.56	1.83	3.07	1.77	3.58	1.73	4.09
1950	2.73	0.54	2.56	1.08	2.39	1.62	2.21	2.16	2.09	2.70	1.99	3.23	1.92	3.77	1.88	4.31	
GRB-50	850	1.63	0.39	1.29	0.78	0.96	1.17	0.73	1.57	0.57	1.96	-	-	-	-	-	-
	950	1.89	0.44	1.55	0.88	1.22	1.31	0.99	1.75	0.83	2.19	0.67	2.63	-	-	-	-
	1050	2.14	0.48	1.81	0.97	1.48	1.45	1.25	1.93	1.09	2.42	0.91	2.90	0.88	3.39	0.80	-
	1150	2.40	0.53	2.07	1.06	1.74	1.59	1.51	2.12	1.35	2.65	1.15	3.18	1.15	3.71	1.06	4.24
	1250	2.66	0.58	2.33	1.15	2.00	1.73	1.77	2.30	1.61	2.88	1.45	3.46	1.43	4.03	1.32	4.61
	1350	2.92	0.62	2.59	1.24	2.26	1.87	2.03	2.49	1.87	3.11	1.77	3.73	1.72	4.35	1.58	4.98
	1450	3.18	0.67	2.84	1.34	2.52	2.00	2.29	2.67	2.13	3.34	2.03	4.01	1.98	4.68	1.84	5.34
	1550	3.44	0.71	3.10	1.43	2.78	2.14	2.54	2.86	2.39	3.57	2.29	4.28	2.24	5.00	2.10	5.71
	1650	3.52	0.76	3.36	1.52	3.03	2.28	2.80	3.04	2.65	3.80	2.55	4.56	2.50	5.32	2.36	6.08
	1750	3.76	0.81	3.62	1.61	3.29	2.42	3.06	3.22	2.91	4.03	2.81	4.84	2.76	5.64	2.62	6.45
	1850	4.01	0.85	3.88	1.70	3.55	2.56	3.32	3.41	3.17	4.26	3.07	5.11	3.02	5.97	2.87	6.82
1950	4.26	0.90	4.14	1.80	3.81	2.70	3.58	3.59	3.43	4.49	3.32	5.39	3.28	6.29	3.13	7.19	
GRB-65	850	2.15	0.51	2.04	1.02	1.76	1.53	1.65	2.04	1.49	2.55	-	-	-	-	-	-
	950	2.48	0.57	2.40	1.14	2.10	1.71	1.98	2.28	1.83	2.84	1.71	3.41	1.62	3.98	-	-
	1050	2.82	0.63	2.77	1.26	2.43	1.89	2.32	2.52	2.17	3.14	2.04	3.77	1.95	4.40	1.81	5.03
	1150	3.16	0.69	3.13	1.38	2.77	2.07	2.66	2.75	2.50	3.44	2.38	4.13	2.29	4.82	2.15	5.51
	1250	3.49	0.75	3.24	1.50	3.11	2.25	3.00	2.99	2.84	3.74	2.72	4.49	2.63	5.24	2.49	5.99
	1350	3.83	0.81	3.57	1.62	3.45	2.43	3.33	3.23	3.18	4.04	3.06	4.85	2.97	5.66	2.82	6.47
	1450	4.17	0.87	3.91	1.74	3.78	2.61	3.67	3.47	3.52	4.34	3.39	5.21	3.30	6.08	3.16	6.95
	1550	4.51	0.93	4.25	1.86	4.12	2.78	4.01	3.71	3.85	4.64	3.73	5.57	3.64	6.50	3.50	7.43
	1650	4.84	0.99	4.59	1.98	4.46	2.96	4.35	3.95	4.19	4.94	4.07	5.93	3.98	6.92	3.83	7.91
	1750	5.18	1.05	4.92	2.10	4.79	3.14	4.68	4.19	4.53	5.24	4.41	6.29	4.32	7.34	4.17	8.38
	1850	5.52	1.11	5.26	2.22	5.13	3.32	5.02	4.43	4.87	5.54	4.74	6.65	4.65	7.76	4.51	8.86
1950	5.86	1.17	5.60	2.34	5.47	3.50	5.36	4.67	5.20	5.84	5.08	7.01	4.99	8.17	4.85	9.34	
GRB-80	800	3.83	0.85	3.41	1.70	3.06	2.55	2.59	3.40	2.26	4.25	-	-	-	-	-	-
	900	4.42	0.96	4.01	1.91	3.66	2.87	3.19	3.83	2.86	4.78	2.57	5.74	2.15	6.70	-	-
	1000	5.02	1.06	4.61	2.13	4.26	3.19	3.79	4.25	3.46	5.32	3.17	6.38	2.75	7.44	2.33	8.50
	1100	5.62	1.17	5.20	2.34	4.86	3.51	4.39	4.68	4.06	5.85	3.77	7.02	3.35	8.19	2.93	9.35
	1200	6.22	1.28	5.80	2.55	5.46	3.83	4.99	5.10	4.66	6.38	4.36	7.65	3.95	8.93	3.53	10.21
	1300	6.82	1.38	6.40	2.76	6.05	4.15	5.59	5.53	5.26	6.91	4.96	8.29	4.55	9.67	4.13	11.06
	1400	7.42	1.49	7.00	2.98	6.65	4.46	6.19	5.95	5.86	7.44	5.56	8.93	5.15	10.42	4.73	11.91
	1500	8.02	1.59	7.60	3.19	7.25	4.78	6.79	6.38	6.45	7.97	6.16	9.57	5.75	11.16	5.33	12.76
	1600	8.62	1.70	8.20	3.40	7.85	5.10	7.38	6.80	7.05	8.50	6.76	10.21	6.34	11.91	5.93	13.61
	1650	8.92	1.75	8.50	3.51	8.15	5.26	7.68	7.02	7.35	8.77	7.06	10.52	6.64	12.28	6.23	14.03



性能参数 Performance parameters

Qs(m³/min) Pressure(mmAq) La(kW)

型号 Type	转速 RPM	1000mmAq		2000mmAq		3000mmAq		4000mmAq		5000mmAq		6000mmAq		7000mmAq		8000mmAq		
		Qs	La	Qs	La	Qs	La	Qs	La	Qs	La	Qs	La	Qs	La	Qs	La	
GRB-80	1750	9.51	1.86	9.10	3.72	8.75	5.58	8.28	7.44	7.95	9.30	7.66	11.16	7.24	13.02	6.82	14.88	
	1850	10.11	1.97	9.70	3.93	9.35	5.90	8.88	7.87	8.55	9.83	8.26	11.80	7.84	13.77	7.42	15.73	
	1950	10.71	2.07	10.29	4.15	9.95	6.22	9.48	8.29	9.15	10.36	8.85	12.44	8.44	14.51	8.02	16.58	
GRB-100	850	5.69	1.19	5.10	2.38	4.52	3.57	4.19	4.76	3.96	5.95	-	-	-	-	-	-	
	950	6.53	1.34	5.94	2.68	5.36	4.02	5.03	5.36	4.79	6.70	4.65	8.04	4.32	9.38	-	-	
	1000	7.37	1.49	6.77	2.98	6.20	4.46	5.87	5.95	5.63	7.44	5.49	8.93	5.16	10.42	5.02	11.91	
	1100	8.21	1.64	7.61	3.27	7.04	4.91	6.71	6.55	6.47	8.19	6.33	9.82	6.00	11.46	5.86	13.10	
	1200	9.04	1.79	8.45	3.57	7.87	5.36	7.55	7.14	7.31	8.93	7.17	10.72	6.83	12.50	6.69	14.29	
	1300	9.88	1.93	9.29	3.87	8.71	5.80	8.38	7.74	8.15	9.67	8.01	11.61	7.67	13.54	7.53	15.48	
	1400	10.72	2.08	10.13	4.17	9.55	6.25	9.22	8.33	8.99	10.42	8.84	12.50	8.51	14.59	8.37	16.67	
	1500	11.56	2.23	10.97	4.46	10.39	6.70	10.06	8.93	9.82	11.16	9.68	13.39	9.35	15.63	9.21	17.86	
	1600	12.40	2.38	11.80	4.76	11.23	7.14	10.90	9.52	10.66	11.91	10.52	14.29	10.19	16.67	10.05	19.05	
	1650	12.82	2.46	12.22	4.91	11.65	7.37	11.32	9.82	11.08	12.28	10.94	14.73	10.61	17.19	10.47	19.65	
	1750	13.65	2.60	13.06	5.21	12.49	7.81	12.16	10.42	11.92	13.02	11.78	15.63	11.45	18.23	11.30	20.84	
	1850	14.49	2.75	13.90	5.51	13.32	8.26	12.99	11.01	12.76	13.77	12.62	16.52	12.28	19.27	12.14	22.03	
	1950	15.33	2.90	14.74	5.80	14.16	8.71	13.83	11.61	13.60	14.51	13.45	17.41	13.12	20.31	12.98	23.22	
	GRB-125A	780	8.29	1.70	7.60	3.40	6.98	5.10	6.28	6.80	5.55	8.50	5.11	10.21	-	-	-	-
		830	8.90	1.81	8.22	3.62	7.59	5.43	6.89	7.24	6.16	9.05	5.72	10.86	-	-	-	-
880		9.52	1.92	8.83	3.84	8.21	5.76	7.51	7.68	6.78	9.59	6.34	11.51	5.97	13.43	-	-	
990		10.87	2.16	10.18	4.32	9.56	6.48	8.86	8.64	8.13	10.79	7.69	12.95	7.32	15.11	6.81	17.27	
1050		11.61	2.29	10.92	4.58	10.30	6.87	9.59	9.16	8.86	11.45	8.42	13.74	8.06	16.03	7.55	18.32	
1100		12.22	2.40	11.53	4.80	10.91	7.20	10.21	9.59	9.48	11.99	9.04	14.39	8.67	16.79	8.17	19.19	
1180		13.20	2.57	12.51	5.15	11.89	7.72	11.19	10.29	10.46	12.87	10.02	15.44	9.65	18.01	9.15	20.59	
1250		14.06	2.73	13.37	5.45	12.75	8.18	12.05	10.90	11.32	13.63	10.88	16.35	10.51	19.08	10.01	21.81	
1320		14.92	2.88	14.23	5.76	13.61	8.64	12.91	11.51	12.18	14.39	11.74	17.27	11.37	20.15	10.87	23.03	
1390		15.78	3.03	15.09	6.06	14.47	9.09	13.77	12.12	13.04	15.16	12.60	18.19	12.23	21.22	11.73	24.25	
1470		16.77	3.21	16.08	6.41	15.45	9.62	14.75	12.82	14.02	16.03	13.58	19.23	13.21	22.44	12.71	25.64	
1560		17.87	3.40	17.18	6.80	16.56	10.21	15.86	13.61	15.13	17.01	14.69	20.41	14.32	23.81	13.82	27.21	
1650		18.98	3.60	18.29	7.20	17.66	10.79	16.96	14.39	16.23	17.99	15.79	21.59	15.42	25.19	14.92	28.78	
1750		20.20	3.82	19.52	7.63	18.89	11.45	18.19	15.26	17.46	19.08	17.02	22.90	16.65	26.71	16.15	30.53	
1850		21.43	4.03	20.74	8.07	20.12	12.10	19.42	16.14	18.69	20.17	18.25	24.21	17.88	28.24	17.38	32.27	
GRB-125	780	11.73	2.49	10.57	4.97	9.79	7.46	8.94	9.94	8.51	12.43	7.88	14.92	-	-	-	-	
	830	12.63	2.65	11.47	5.29	10.69	7.94	9.83	10.58	9.40	13.23	8.78	15.87	-	-	-	-	
	880	13.53	2.80	12.37	5.61	11.59	8.41	10.73	11.22	10.30	14.02	9.67	16.83	9.61	19.63	-	-	
	990	15.50	3.16	14.34	6.31	13.56	9.47	12.71	12.62	12.28	15.78	11.65	18.93	11.59	22.09	10.94	25.24	
	1050	16.58	3.35	15.42	6.69	14.64	10.04	13.78	13.39	13.35	16.73	12.72	20.08	12.66	23.43	12.02	26.77	
	1100	17.48	3.51	16.32	7.01	15.54	10.52	14.68	14.02	14.25	17.53	13.62	21.04	13.56	24.54	12.92	28.05	
	1180	18.92	3.76	17.76	7.52	16.97	11.28	16.12	15.04	15.69	18.80	15.06	22.56	15.00	26.33	14.35	30.09	
	1250	20.17	3.98	19.01	7.97	18.23	11.95	17.37	15.94	16.94	19.92	16.31	23.90	16.25	27.89	15.61	31.87	
	1320	21.43	4.21	20.27	8.41	19.49	12.62	18.63	16.83	18.20	21.04	17.57	25.24	17.51	29.45	16.87	33.66	
	1390	22.69	4.43	21.53	8.86	20.74	13.29	19.89	17.72	19.46	22.15	18.83	26.58	18.77	31.01	18.12	35.44	
	1470	24.12	4.69	22.96	9.37	22.18	14.06	21.32	18.74	20.89	23.43	20.26	28.11	20.20	32.08	19.56	37.48	
	1560	25.74	4.97	24.58	9.94	23.79	14.92	22.94	19.89	22.51	24.86	21.88	29.83	21.82	34.80	21.17	39.78	
	1650	27.35	5.26	26.19	10.52	25.41	15.78	24.55	21.04	24.12	26.29	23.50	31.55	23.43	36.81	22.79	42.07	
	1750	29.15	5.58	27.99	11.15	27.20	16.73	26.35	22.31	25.92	27.89	25.29	33.46	25.23	39.04	24.59	44.62	
	1850	30.94	5.90	29.78	11.79	29.00	17.69	28.14	23.58	27.71	29.48	27.09	35.38	27.02	41.27	26.38	47.17	



性能参数 Performance parameters

Qs(m³/min) Pressure(mmAq) La(kW)

型号 Type	转速 RPM	1000mmAq		2000mmAq		3000mmAq		4000mmAq		5000mmAq		6000mmAq		7000mmAq		8000mmAq	
		Qs	La	Qs	La	Qs	La	Qs	La	Qs	La	Qs	La	Qs	La	Qs	La
GRB-150	780	15.04	3.21	13.49	6.41	12.70	9.62	11.98	12.82	11.51	16.03	10.79	19.23	-	-	-	-
	830	16.20	3.41	14.65	6.82	13.86	10.23	13.13	13.64	12.66	17.06	11.95	20.47	-	-	-	-
	880	17.36	3.62	15.81	7.23	15.02	10.85	14.29	14.47	13.82	18.08	13.11	21.70	12.51	25.32	12.04	28.93
	990	19.90	4.07	18.35	8.14	17.56	12.21	16.84	16.27	16.37	20.34	15.65	24.41	15.05	28.48	14.58	32.55
	1050	21.29	4.32	19.74	8.63	18.95	12.95	18.23	17.26	17.76	21.58	17.04	25.89	16.44	30.21	15.97	34.52
	1100	22.45	4.52	20.90	9.04	20.11	13.56	19.38	18.08	18.91	22.60	18.20	27.12	17.60	31.64	17.13	36.17
	1180	24.30	4.85	22.75	9.70	21.96	14.55	21.23	19.40	20.77	24.25	20.05	29.10	19.45	33.95	18.98	38.80
	1250	25.92	5.14	24.37	10.27	23.58	15.41	22.86	20.55	22.39	25.69	21.67	30.82	21.07	35.96	20.60	41.10
	1320	27.54	5.42	25.99	10.85	25.20	16.27	24.48	21.70	24.01	27.12	23.29	32.55	22.69	37.97	22.22	43.40
	1390	29.16	5.71	27.61	11.42	26.82	17.14	26.10	22.85	25.63	28.56	24.91	34.27	24.31	39.99	23.84	45.70
	1470	31.02	6.04	29.46	12.08	28.68	18.12	27.95	24.17	27.48	30.21	26.76	36.25	26.17	42.29	25.69	48.33
	1560	33.10	6.41	31.55	12.82	30.76	19.23	30.03	25.64	29.56	32.06	28.85	38.47	28.25	44.88	27.78	51.29
	1650	35.18	6.78	33.63	13.56	32.84	20.34	32.11	27.12	31.65	33.91	30.93	40.69	30.33	47.47	29.86	54.25
	1750	37.50	7.19	35.95	14.38	35.16	21.58	34.43	28.77	33.96	35.96	33.24	43.15	32.65	50.34	32.18	57.54
	1850	39.81	7.60	38.26	15.21	37.47	22.81	36.74	30.41	36.28	38.01	35.56	45.62	34.96	53.22	34.49	60.82
GRB-200A	620	18.86	4.09	17.50	8.18	16.52	12.27	15.65	16.36	14.87	20.46	-	-	-	-	-	-
	660	20.22	4.36	18.95	8.71	17.98	13.07	17.11	17.42	16.33	21.78	-	-	-	-	-	-
	700	21.68	4.62	20.41	9.24	19.34	13.86	18.47	18.48	17.69	23.10	17.01	27.71	-	-	-	-
	740	23.13	4.88	21.77	9.77	20.80	14.65	19.93	19.53	19.14	24.42	18.47	29.30	-	-	-	-
	780	24.59	5.15	23.23	10.29	22.26	15.44	21.28	20.59	20.61	25.74	19.73	30.88	19.25	36.03	-	-
	830	26.34	5.48	24.98	10.95	24.01	16.43	23.13	21.91	22.36	27.38	21.68	32.86	21.09	38.34	-	-
	880	28.09	5.81	26.73	11.61	25.76	17.42	24.88	23.23	24.11	29.03	23.43	34.84	22.84	40.65	22.10	46.46
	930	29.94	6.14	28.58	12.27	27.89	18.41	26.73	24.55	25.95	30.68	25.27	36.82	24.59	42.96	23.92	49.09
	990	32.08	6.53	30.72	13.07	29.74	19.60	28.87	26.13	28.10	32.66	27.41	39.20	26.73	45.73	26.00	52.26
	1050	34.21	6.93	32.85	13.86	31.88	20.79	31.01	27.71	30.23	34.64	29.55	41.57	28.87	48.50	28.24	55.43
	1110	36.35	7.32	34.99	14.65	34.02	21.97	33.15	29.30	32.37	36.62	31.69	43.95	31.01	51.27	30.32	58.60
	1180	38.78	7.79	37.52	15.57	36.45	23.36	35.58	31.15	34.90	38.93	34.12	46.72	33.53	54.51	32.83	62.29
	1250	41.31	8.25	39.95	16.50	38.98	24.75	38.10	32.99	37.33	41.24	36.64	49.49	36.06	57.74	35.41	65.99
	1320	43.84	8.71	42.48	17.42	41.41	26.13	40.63	34.84	39.85	43.55	39.17	52.26	38.49	60.97	37.80	69.68
	1390	46.27	9.17	45.00	18.34	43.93	27.52	43.06	36.69	42.28	45.86	41.60	55.03	41.02	64.21	40.31	73.38
GRB-200	620	24.30	5.26	22.60	10.52	21.20	15.78	20.10	21.04	19.20	26.30	-	-	-	-	-	-
	660	26.10	5.60	24.40	11.20	23.10	16.80	22.00	22.40	21.00	28.00	20.10	33.60	-	-	-	-
	700	27.90	5.94	26.20	11.88	24.90	17.82	23.80	23.76	22.80	29.69	21.90	35.63	-	-	-	-
	740	29.80	6.28	28.10	12.56	26.70	18.83	25.60	25.11	24.70	31.39	23.70	37.67	-	-	-	-
	780	31.60	6.62	29.90	13.24	28.60	19.85	27.50	26.47	26.50	33.09	25.60	39.71	24.80	46.32	-	-
	830	33.90	7.04	32.20	14.08	30.80	21.13	29.70	28.17	28.70	35.21	27.90	42.25	27.10	49.29	26.40	56.33
	880	36.20	7.47	34.40	14.93	33.10	22.40	32.00	29.86	31.10	37.33	30.20	44.80	29.40	52.26	28.70	59.73
	930	38.50	7.89	36.80	15.78	35.40	23.67	34.30	31.56	33.40	39.45	32.50	47.34	31.70	55.23	31.00	63.12
	990	41.20	8.40	39.50	16.80	38.20	25.20	37.10	33.60	36.10	42.00	35.20	50.40	34.40	58.80	33.70	67.19
	1050	44.00	8.91	42.30	17.82	40.90	26.73	39.80	35.63	38.90	44.54	38.00	53.45	37.20	62.36	36.50	71.27
	1110	46.70	9.42	45.00	18.83	43.70	28.25	42.60	37.67	41.60	47.09	40.70	56.50	39.80	65.92	39.20	75.34
	1180	49.90	10.01	48.20	20.02	46.90	30.03	45.80	40.05	44.80	50.06	43.90	60.07	43.10	70.08	42.40	80.09
	1250	53.10	10.61	51.40	21.21	50.10	31.82	49.00	42.42	48.00	53.03	47.10	63.63	46.30	74.24	45.60	84.84
	1320	56.30	11.20	54.60	22.40	53.30	33.60	52.20	44.80	51.20	56.00	50.30	67.19	49.50	78.39	48.80	89.59
	1390	59.50	11.79	57.80	23.59	56.50	35.38	55.40	47.17	54.40	58.96	53.60	70.76	52.70	82.55	51.67	94.34



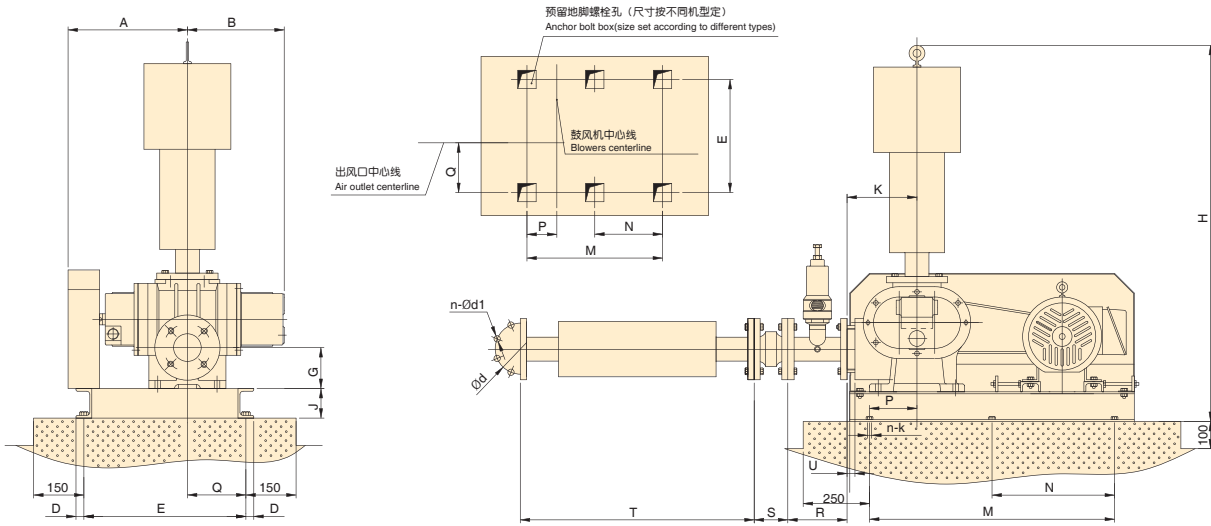
性能参数 Performance parameters

Qs(m³/min) Pressure(mmAq) La(kW)

型号 Type	转速 RPM	1000mmAq		2000mmAq		3000mmAq		4000mmAq		5000mmAq		6000mmAq		7000mmAq		8000mmAq	
		Qs	La	Qs	La	Qs	La	Qs	La	Qs	La	Qs	La	Qs	La	Qs	La
GRB-250	620	33.00	7.01	31.00	14.03	29.50	21.04	28.20	28.05	27.00	35.07	-	-	-	-	-	-
	660	35.50	7.47	33.50	14.93	32.00	22.40	30.60	29.86	29.50	37.33	28.40	44.80	-	-	-	-
	700	37.80	7.92	35.90	15.84	34.30	23.76	33.00	31.67	32.00	39.59	30.90	47.51	-	-	-	-
	740	40.30	8.37	38.40	16.74	36.80	25.11	35.50	33.48	34.30	41.86	33.30	50.23	-	-	-	-
	780	42.80	8.82	40.70	17.65	39.20	26.47	38.00	35.29	36.80	44.12	35.80	52.94	34.80	61.76	-	-
	830	45.90	9.39	43.80	18.78	42.20	28.17	41.00	37.56	39.90	46.95	38.80	56.33	37.80	65.72	37.00	75.11
	880	48.90	9.95	46.90	19.91	45.30	29.86	44.10	39.82	42.90	49.77	41.90	59.73	41.00	69.68	40.00	79.64
	930	52.00	10.52	50.00	21.04	48.50	31.56	47.30	42.08	46.00	52.60	44.90	63.12	44.23	73.64	43.50	84.16
	990	55.60	11.20	53.60	22.40	52.10	33.60	50.80	44.80	49.60	56.00	48.70	67.19	47.70	78.39	46.50	89.59
	1050	59.30	11.88	57.40	23.76	55.70	35.63	54.50	47.51	53.30	59.39	52.30	71.27	51.40	83.14	50.60	95.02
	1110	63.00	12.56	61.00	25.11	59.40	37.67	58.10	50.23	57.00	62.78	56.00	75.34	55.00	87.90	54.20	100.45
	1180	67.20	13.35	65.30	26.70	63.70	40.05	62.40	53.39	61.30	66.74	60.30	80.09	59.30	93.44	58.40	106.79
	1250	71.50	14.14	69.60	28.28	68.00	42.42	66.70	56.56	65.50	70.70	64.50	84.84	63.60	98.98	62.70	113.12
	1320	75.80	14.93	73.90	29.86	72.30	44.80	71.00	59.73	69.80	74.66	68.80	89.59	67.90	104.52	67.10	119.46
	1390	80.10	15.72	78.00	31.45	76.50	47.17	75.50	62.90	74.10	78.62	73.10	94.34	72.00	110.07	71.20	125.79
1480	91.10	16.74	89.40	33.48	87.90	50.23	86.40	66.97	84.90	83.71	83.70	100.45	82.10	117.19	80.70	133.94	
GRB-300A	700	51.60	10.56	49.00	21.12	46.90	31.67	45.10	42.23	43.70	52.79	-	-	-	-	-	-
	850	63.90	12.82	60.70	25.64	58.00	38.46	55.90	51.28	54.10	64.10	52.30	76.92	-	-	-	-
	1000	76.80	15.08	74.00	30.17	72.00	45.25	70.10	60.33	68.70	75.41	67.30	90.50	-	-	-	-
	1150	90.00	17.35	86.70	34.69	84.40	52.04	82.10	69.38	80.70	86.73	78.90	104.07	-	-	-	-
	1300	101.60	19.61	99.00	39.22	96.90	58.82	95.10	78.43	93.50	98.04	92.20	117.65	-	-	-	-
	1450	115.50	21.87	112.60	43.74	110.10	65.61	108.30	87.48	106.40	109.35	104.80	131.22	-	-	-	-
1550	126.00	23.38	120.50	46.76	120.10	70.14	117.90	93.51	115.60	116.89	114.20	140.27	-	-	-	-	
GRB-300	600	71.20	14.56	68.00	29.11	65.30	43.67	62.60	58.23	60.50	72.78	58.50	85.44	56.80	99.68	-	-
	700	85.50	16.98	81.40	33.97	78.70	50.95	76.00	67.93	73.90	84.92	71.90	99.68	70.20	116.30	68.70	130.08
	800	98.50	19.41	94.80	38.82	92.10	58.23	89.40	77.64	87.30	97.05	85.30	113.92	83.60	132.91	82.10	148.67
	900	111.50	21.84	108.20	43.67	105.60	65.51	102.90	87.34	100.80	109.18	98.80	128.16	97.10	149.53	95.60	167.25
	1000	124.50	24.26	121.60	48.52	118.90	72.78	116.20	97.05	114.10	121.31	112.10	142.41	110.40	166.14	108.90	185.83
	1100	138.10	26.69	135.10	53.38	132.40	80.06	129.70	106.75	127.60	133.44	125.60	156.65	123.90	182.75	122.40	204.42
	1200	151.70	29.11	148.50	58.23	145.80	87.34	143.10	116.46	141.00	145.57	139.00	170.89	137.30	199.37	135.80	223.00
	1300	165.30	31.54	162.10	63.08	159.40	94.62	156.70	126.16	154.60	157.70	152.60	185.13	150.90	215.98	149.40	241.58
1400	178.02	33.97	174.57	67.93	171.66	101.90	168.75	135.87	166.49	169.83	164.34	199.37	162.51	232.60	160.89	260.17	



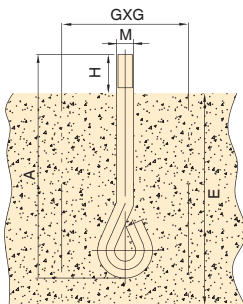
外形尺寸图 (配用卧式出口消音器) Installation dimensions (horizontal outlet silencer)



单位: (mm)

型号 Type	A	B	D	E	G	H	J	K	M	N	P	Q	R	S	T	U	Ød	n-Ød1	地脚螺栓 n-k
GRB-40	245	205	25	350	104	731	46	140	500	-	98	90	150	95	592	20	110	4-Ø18	4-M12x160
GRB-50	302	245	20	410	104	906	80	157	620	-	119	148	150	105	592	20	125	4-Ø18	
GRB-65	313	275	20	410	104	906	80	152	620	-	117	138	150	115	596	24	145	4-Ø18	
GRB-80	406.5	300	20	510	106.5	1241	80	180	670	-	112	160	180	135	796	24	160	8-Ø18	
GRB-100	442	350	20	560	106.5	1261	100	180	760	-	90	233	180	150	796	24	180	8-Ø18	4-M16x220
GRB-125A	440	370.5	24	556	134.5	1860	120	250	900	-	133	338	250	165	1260	25	210	8-Ø18	
GRB-125	500	430.5	24	556	157.5	1855	120	262	900	-	138	278	250	165	1264	25	210	8-Ø18	
GRB-150	536	484.5	24	556	163.5	1880	120	251.5	900	-	138	212	250	180	1264	26	240	8-Ø22	
GRB-200A	529	460	30	798	198	2285	160	358	1300	650	313	454	250	190	1644	28	295	8-Ø22	6-M20x300
GRB-200	570	510	30	940	195	2285	160	345	1300	650	310	580	250	190	1644	28	295	8-Ø22	
GRB-250	695	585	30	940	215	2520	160	360	1400	700	270	490	250	230	1748	28	350	12-Ø22	
GRB-300A	830	723	35	940	255	2660	160	356	1500	750	500	245	300	250	1848	45	400	12-Ø22	
GRB-300	750	685	35	1030	300	3085	250	560	2000	1000	321	532	300	250	1848	45	400	12-Ø22	

地脚螺栓 Anchor bolt



单位: (mm)

地脚螺栓 M Anchor bolt GB799-88	A	H	E	G×G	适用型号 Application type
M12	160	36	224	100×100	GRB-40,50,65,80
M16	220	45	275	120×120	GRB-100,125A,125,150
M20	300	55	345	150×150	GRB-200A,200,250,300A,300

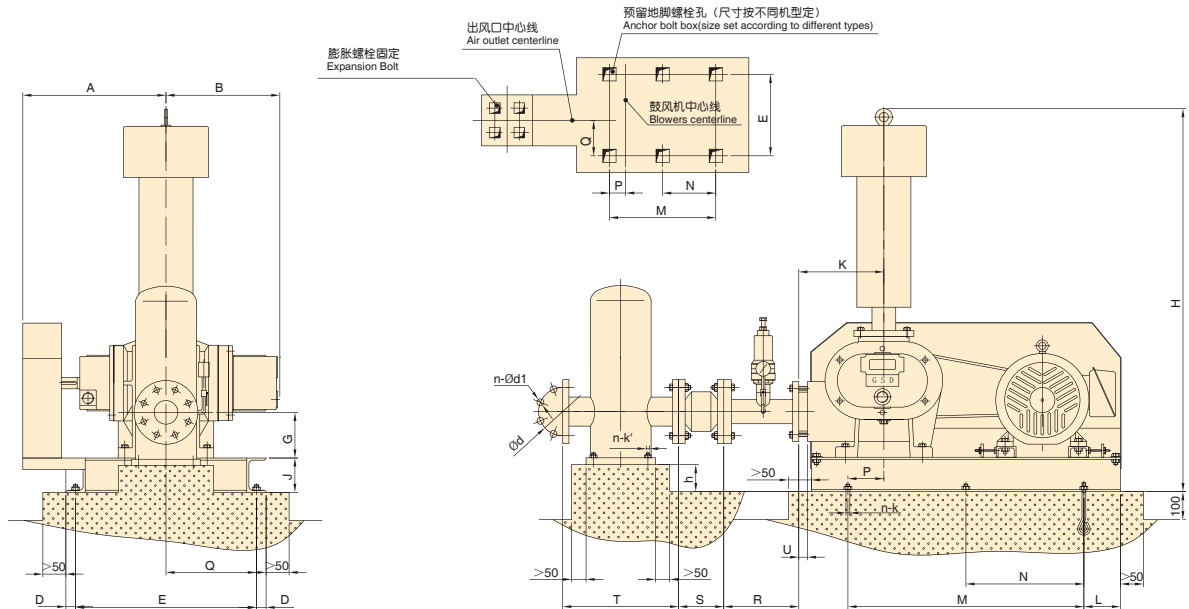
注: 1.图注E为最小尺寸, 根据安装的土壤情况, 应适当加深。
2.GxG为二次浇灌前的预留孔尺寸。

Note: 1. The note E on the drawing is the minimum size, it shall be deepened properly according to the soil condition in the installation place.

2. GxG is the size of the preformed holes for the secondary casting.



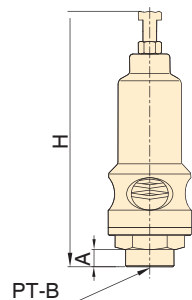
外形尺寸图 (配用立式出口消音器) Installation dimensions (vertical outlet silencer)



单位: (mm)

型号 Type	A	B	D	E	G	H	h	J	K	M	N	P	Q	R	S	T	U	Ød	n-Ød1	地脚螺栓 n-k	膨胀螺栓 n-k'
GRB-40	245	205	25	350	104	731	30	46	140	500	-	98	90	150	95	-	20	110	4-Ø18	4-M12x160	4-M12x120
GRB-50	302	245	20	410	104	906	64	80	157	620	-	119	148	150	105	300	20	125	4-Ø18		
GRB-65	313	275	20	410	104	906	54	80	152	620	-	117	138	150	115	350	24	145	4-Ø18		
GRB-80	406.5	300	20	510	106.5	1241	42	80	180	670	-	112	160	180	135	400	24	160	8-Ø18		
GRB-100	442	350	20	560	106.5	1261	60	100	180	760	-	90	233	180	150	450	24	180	8-Ø18	4-M16x220	4-M12x120
GRB-125A	440	370.5	24	556	134.5	1860	65	120	250	900	-	133	338	250	165	500	25	210	8-Ø18		
GRB-125	500	430.5	24	556	157.5	1855	88	120	262	900	-	138	278	250	165	500	25	210	8-Ø18		
GRB-150	536	484.5	24	556	163.5	1880	73	120	251.5	900	-	138	212	250	180	600	26	240	8-Ø22		
GRB-200A	529	460	30	790	198	2285	102	160	358	1300	650	313	454	250	190	672	28	295	8-Ø22	6-M20x300	4-M12x120
GRB-200	570	510	30	940	195	2285	98	160	345	1300	650	310	580	250	190	672	28	295	8-Ø22		
GRB-250	695	585	30	940	215	2520	76	160	360	1400	700	270	490	250	230	750	28	350	12-Ø22		
GRB-300A	830	723	30	940	255	2660	200	160	356	1500	750	500	245	300	250	820	45	400	12-Ø22		
GRB-300	750	685	30	1030	300	3085	200	250	560	2000	1000	321	532	300	250	820	45	400	12-Ø22		

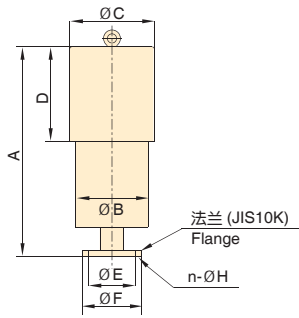
泄压阀 Relief valve



单位: (mm)

型号 Type	A	H	适用机型 Application type	重量 Weight (kg)
SV1 1/2"	25	150	GRB-40,50,65,80	1.6
SV2"	25	180	GRB-100,125A,125,150	2.5
SV3"	30	250	GRB-200A,200	5.0
SV4"	25	316	GRB-250,300A,300	8.5

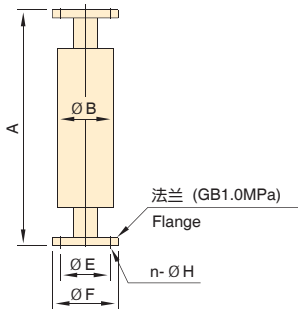
入口消音器 Suction silencer



单位: (mm)

型号 Type	A	ØB	ØC	D	ØE	ØF	n-ØH	重量 Weight (kg)	适用型号 Application type
SS40	400	140	160	220	105	130	4-Ø15	7.0	GRB-40
SS50	550	140	160	270	120	155	4-Ø18	11.0	GRB-50
SS65	550	165	180	270	140	175	4-Ø18	14.7	GRB-65
SS80	820	210	230	440	150	185	8-Ø18	25.4	GRB-80
SS100	820	240	275	440	175	210	8-Ø18	28.0	GRB-100
SS125	1310	280	315	690	210	250	8-Ø22	42.0	GRB-125A GRB-125
SS150	1310	300	345	690	240	280	8-Ø22	45.3	GRB-150
SS200	1500	400	460	800	290	330	12-Ø22	67.8	GRB-200A GRB-200
SS250	1700	400	480	900	355	400	12-Ø22	81.2	GRB-250
SS300	1825	500	600	940	400	445	16-Ø22	108.0	GRB-300A GRB-300

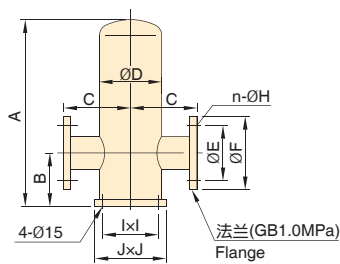
卧式出口消音器 Horizontal outlet silencer



单位: (mm)

型号 Type	A	ØB	ØE	ØF	n-ØH	重量 Weight (kg)	适用型号 Application type
DS40	592	140	110	150	4-Ø18	12.2	GRB-40
DS50	592	140	125	165	4-Ø18	13.0	GRB-50
DS65	596	165	145	185	4-Ø18	16.8	GRB-65
DS80	796	218	160	200	8-Ø18	28.3	GRB-80
DS100	796	240	180	220	8-Ø18	33.3	GRB-100
DS125	1260	280	210	250	8-Ø18	45.1	GRB-125A GRB-125
DS150	1264	300	240	285	8-Ø22	49.1	GRB-150
DS200	1644	400	295	340	8-Ø22	84.0	GRB-200A GRB-200
DS250	1748	400	350	395	12-Ø22	97.0	GRB-250
DS300	1848	500	400	445	12-Ø22	135	GRB-300A GRB-300

立式出口消音器 Vertical outlet silencer

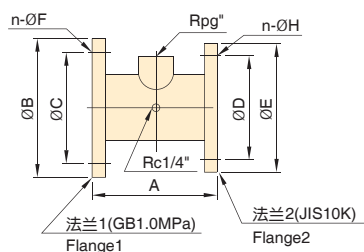


单位: (mm)

型号 Type	A	B	C	ØD	ØE	ØF	n-ØH	I	J	重量 Weight (kg)	适用型号 Application type
VDS40	420	120	150	140	110	125	4-Ø18	125	160	18.2	GRB-40
VDS50	420	120	150	140	125	165	4-Ø18	125	160	19.0	GRB-50
VDS65	480	130	175	191	145	185	4-Ø18	170	210	27.0	GRB-65
VDS80	595	145	200	216	160	200	8-Ø18	190	235	36.9	GRB-80
VDS100	660	155	225	267	180	220	8-Ø18	230	280	51.8	GRB-100
VDS125	800	190	250	280	210	250	8-Ø18	240	300	65.9	GRB-125A GRB-125
VDS150	920	210	300	356	240	285	8-Ø22	290	376	99.6	GRB-150
VDS200	1050	256	325	406	295	340	8-Ø22	350	425	131.5	GRB-200A GRB-200
VDS250	1200	300	375	480	350	395	12-Ø22	400	500	184.3	GRB-250
VDS300	1300	350	410	520	400	445	12-Ø22	450	550	243.0	GRB-300A GRB-300



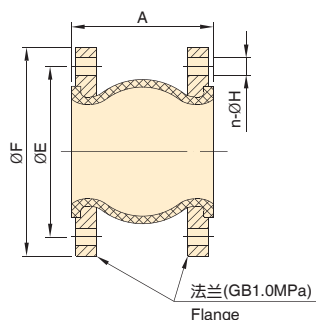
三通管 "T"-joint



单位: (mm)

型号 Type	A	ØB	ØC	n-ØF	ØD	ØE	n-ØH	g	重量 Weight (kg)	适用型号 Application type
HJ40	150	150	110	4-Ø18	120	155	4-Ø18	1¼	7.0	GRB-40
HJ50	150	165	125	4-Ø18	120	155	4-Ø18	1¼	7.3	GRB-50
HJ65	150	185	145	4-Ø18	140	175	4-Ø18	1¼	9.0	GRB-65
HJ80	180	200	160	8-Ø18	150	185	8-Ø18	1¼	9.6	GRB-80
HJ100	180	220	180	8-Ø18	175	210	8-Ø18	2	10.7	GRB-100
HJ125	250	250	210	8-Ø18	210	250	8-Ø22	2	14.5	GRB-125A GRB-125
HJ150	250	285	240	8-Ø22	240	280	8-Ø22	2	20.8	GRB-150
HJ200	250	340	295	8-Ø22	290	330	12-Ø22	3	26.0	GRB-200A GRB-200
HJ250	250	395	350	12-Ø22	355	400	12-Ø22	3	35.0	GRB-250
HJ300	300	445	400	12-Ø22	400	445	16-Ø22	3	44.7	GRB-300A GRB-300

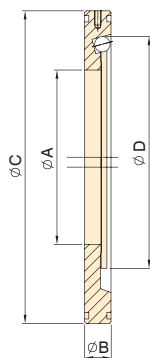
弹性接头 Flexible connector



单位: (mm)

型号 Type	A	ØE	ØF	n-ØH	重量 Weight (kg)	适用型号 Application type
KXT40	95	110	150	4-Ø18	2.5	GRB-40
KXT50	105	125	165	4-Ø18	3.0	GRB-50
KXT65	115	145	185	4-Ø18	3.5	GRB-65
KXT80	135	160	200	8-Ø18	4.0	GRB-80
KXT100	150	180	220	8-Ø18	5.0	GRB-100
KXT125	165	210	250	8-Ø18	6.5	GRB-125A GRB-125
KXT150	180	240	285	8-Ø22	9.5	GRB-150
KXT200	190	295	340	8-Ø22	16.0	GRB-200A GRB-200
KXT250	230	350	395	12-Ø22	25.0	GRB-250
KXT300	250	400	445	12-Ø22	42.0	GRB-300A GRB-300

逆止阀 Check valve



单位: (mm)

型号 Type	ØA	B	ØC	ØD	重量 Weight (kg)	适用型号 Application type
DCV-50	25	20	104	52.7	1.1	GRB-40 GRB-50
DCV-65	36	24	124	65.9	1.4	GRB-65
DCV-80	46	24	134	78.1	1.6	GRB-80
DCV-100	67	24	159	102.3	2.3	GRB-100
DCV-125	88	25	190	126.6	3.4	GRB-125A GRB-125
DCV-150	108	26	220	151	5.0	GRB-150
DCV-200	138	28	270	200	10.0	GRB-200A GRB-200
DCV-250	185	28	335	251.4	18.0	GRB-250
DCV-300	-	181	380	300	48.0	GRB-300A GRB-300

注: DCV-300型为双瓣式逆止阀, 结构略有不同
Note: DCV-300 is the double flap type check valve, so it's a little difference from others.

如蒙洽询请指示下列各项：

For further details, please fulfill the chart below.

客户：
Customer _____

承办人员：
Undertaker _____

工程名称：
Name of project _____

工程地点：
Address of project _____

电话：
Telephone _____

传真：
Fax _____

* 用途 Usage	<input type="checkbox"/> 压缩用 Compression		<input type="checkbox"/> 真空用 Vacuum	
* 当地状况 Local condition	海拔m Elevation		最高相对湿度% Max relative humidity	
	当地大气压力(MPa) Local atmospheric pressure		最高气温(°C) Max air temperature	
* 气体性质 Gas character	名称 Name		温度(°C) Temperature	
	成份 Constituents		各组分比例 Ratio of constituent	
风机参数 Blower's parameter	* 风量(m ³ /min) Capacity		口径(mm) Diameter	
	* 风压(mmAq) Pressure		转速(r/min) Speed	
电机参数 Motor's parameter	型式 Type		电压(V) Voltage	
	功率(kW) Power		频率(Hz) Frequency	
	极数 Pole		其它 Others	
安装位置 Location	<input type="checkbox"/> 室内安装 Indoor install	<input type="checkbox"/> 遮雨棚式室外安装 Camping outdoor install		<input type="checkbox"/> 其它 Others_____
* 传动方式 Driving mode	<input type="checkbox"/> 皮带传动(标准型) Belt-driven(Standard)		<input type="checkbox"/> 直联传动 Direct drive	
其它要求 Other requirement				

备注：1. 以上资料请尽可能完整填写。

2. 项目前加注“*”者，请务必填写。

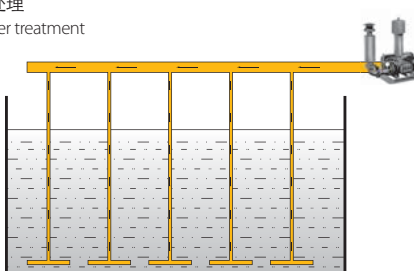
Notes: 1. Please fill in the parameter lists as complete as possible.

2. The item with "*" must be filled.



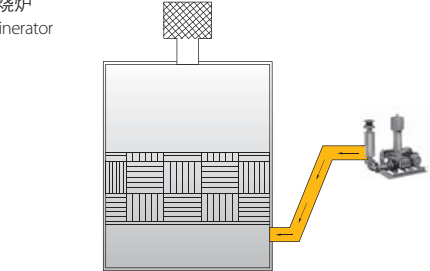
用途说明 Applications

水处理
Water treatment



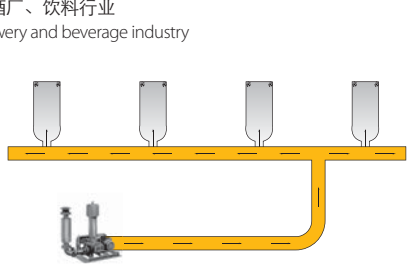
1 用于污水处理厂的曝气处理
Aeration of swage

燃烧炉
Incinerator



5 用于助燃，增加氧气促进燃烧
Used for combustion, increasing oxygen to promote combustion.

啤酒厂、饮料行业
Brewery and beverage industry

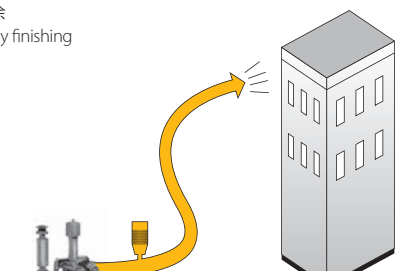


2 通过气体运动将瓶内死角清理干净
Clean up the bottle's dead angle by gas

水处理
Water treatment

啤酒厂、饮料行业
Brewery and beverage industry

喷涂
Spray finishing

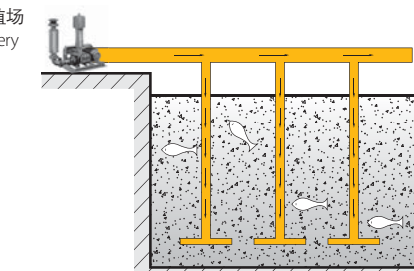


3 通过气体将防火材料喷涂到墙上或钢筋结构上
Use gas spraying fire-resistant material on the wall

喷涂
Spray finishing

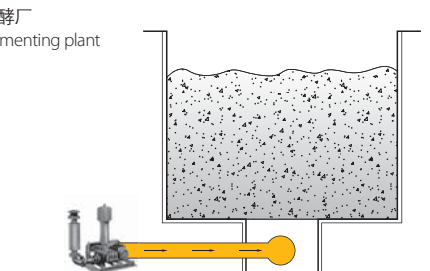
养殖场
Fishery

养殖场
Fishery

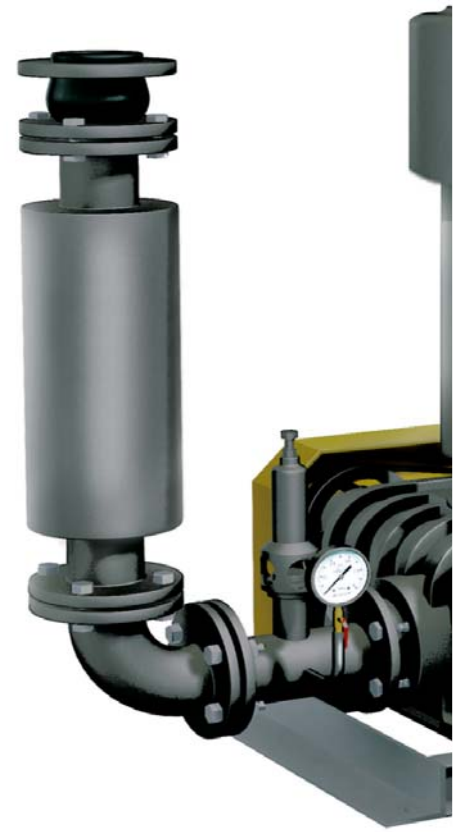


4 养殖场中增加水中氧气
Increasing oxygen in water

发酵厂
Fermenting plant



6 通过增含氧量，来促进发酵
Increasing oxygen to promote the fermentation





洗车
Car washing

洗车
Car washing

清洗剂 cleaning agent

7 洗车厂通过虹吸现象带动洗车液清洗车辆
Use washing fluid washing car base on siphon principle

管路清理
Pipe clearing

管路清理
Pipe clearing

沙粒
grain of sand

9 利用气体吹动沙子或硬质颗粒来冲刷管路
Use gas blowing sand to flush pipes

管路清理
Pipe clearing

电镀行业
Electroplate factory

电镀行业
Electroplate factory

10 利用气体使液体均匀化，液体与工件充分接触
Stir gas liquid, make its uniformity

桑拿
Sauna

物料输送
Conveying

桑拿
Sauna

11 做人体按摩，促进血液循环
Do body massage, promote the blood circulation

造纸厂
Paper mill

造纸厂
Paper mill

纸张 paper

8 纸张被吹起后，机械手臂使其搬运
The mechanical arm carries the paper after it has been rised by the wind

物料输送
Conveying

物料输送
Conveying

自动下料机
automatic baiting machine

12 利用气体运动将物料输送
Use gas conveying materials



欢迎索取以下产品型录



泵系列

- 潜水泵系列
- 陆上泵系列
- 特种泵系列
- 消防泵系列



搅拌推流系列

- 搅拌机系列
- 推流器系列



供氧曝气系列

- 曝气机系列
- 曝气盘系列
- 曝气管系列



风机系列

- 三叶罗茨鼓风机系列
- 增压罗茨鼓风机系列



污泥处理设备 及其他

- 固液分离系列
- 泡药设备
- 输送设备



上海川源机械工程有限公司
Shanghai GSD Industrial Co., Ltd

免费咨询电话

800-820-1977

本型录内容如有变更，恕不另行通知。

We reserve the right to change content without notice.

CY-B4